



www.SkatingTreadmill.com

Express Fitness Products

Tel: (888) Skate Great

**STRIDEMILL TREADMILL
VS COMPETITORS**

INTRODUCTION

We thank you for the opportunity to do business with your organization. We are confident our skiing and snowboarding treadmills are the premiere training devices in the skiing and snowboarding industry and will serve your needs well.

Since 2003, we have installed Treadmills across Canada, China, Czech Republic, Finland, Germany, Hong Kong, Japan, Korea, Sweden, Russia and the USA.

Our team has over 33 years' experience in electrical engineering and over 23 years in manufacturing. Team members have worked in industrial, manufacturing, environmental and construction management projects and are experienced in range of small and large-scale projects.

Our skiing and snowboarding treadmills will provide you with unsurpassed solutions to train your athletes to develop and achieve precise balance, conditioning, correct form, mechanics, strength, and speed.

If you have any questions, please give me a call, I would be pleased to answer any questions.

Sincerely,

Ray Bakker

President

T: (877) 800-7843

E: ray@expressfitnessproducts.ca

STRIDEMILL FEATURES:

- **Auto Fall Safety Switch**
- **Built in Gantry/Safety System**
- **No Pinch Point Danger**
- **Auto Belt Tracking**
- **Infinity Ice Roller**
- **Mechanical Spliced belt**
- **Stainless Steel Decking**
- **Inspection and Maintenance Doors**
- **Built in Casters**
- **Powder Coated Frame and Covers**
- **Quietest Treadmill**
- **CNC, CAD/CAM Manufacturing**
- **White Synthetic Ice – Standard**
- **Puck/Stick Handling Platform**
- **Side Shooting Decks**
- **Spare Parts**

AUTO FALL SAFETY SWITCH

Sensor knows when an athlete is about to fall and it shuts the treadmill off automatically.

The switch is activated by 40 lbs. (18 kg) spring loaded switch. The auto fall safety switch also has a redundant dual switch. If one fails there is a backup switch. Once a fall switch is activated by a fall or slip, the treadmill will stop the rotation of the belt. The belt can be restarted by pushing the reset button.

The Auto Fall Safety Switch system consists of following:

2” (50.8 mm) mill finish Aluminum tubing

2” (50.8 mm) linear bearing

Linear bearing housing – Frictionless side to side movement

Stainless Steel fall switch frame – corrosion resistant

Dual switch

Chain Link (660 lbs./299 kg. rated)

Daisy Chain – for quick change for different height athlete

Carabiner

The Auto Fall Safety Switch feature can be by-passed by trainer using a cheater (included in the electric console). In the event the switch is not working properly, the by-pass switch can be used and downtime minimized.



Dual Auto Safety System shown.

BUILT IN GANTRY/SAFETY SYSTEM

1.5" (1.875"/ 47.6 mm outside diameter)

Bright Dipped Anodized 6463-T5 Aluminum Pipe (figure1):

The finish is resistant in salt environment. Since it is anodized, the athlete's hand will not turn black from oxidation. It can be easily cleaned and sanitized. The railing will not rust from chips or scratches over time.

Aluminum Fittings with stainless steel set screws:

Unlike painted steel fittings, aluminum fittings will not rust.

Adjustable Front Safety Bar:

When the skater does not need the upper safety bar, they can be moved up so it is not in the way of the skater for stick handling and shooting. This minimizes injury during falls.

Weight%	Al	Si	Fe	Cu	Mn	Mg	Zn	Other Each	Others Total
6463	Bal	0.20 / 0.60	0.15 max	0.20 max	0.05 max	0.45/0.90	0.05 max	0.05 max	0.15 max

Figure 1



If the treadmill is in incline position, the distance between the athlete and the treadmill does not change so it minimizes the injury from falls.

PINCH POINT DANGER

StrideMill's do not have pinch point danger (Figure 3). Pinch point (Figure 2) is when there is a bar or platform behind a rear roller that can potentially pinch skater's fingers or skates, etc. or loose uniform can get caught and pull the skater to the rotating roller and the fixed frame.

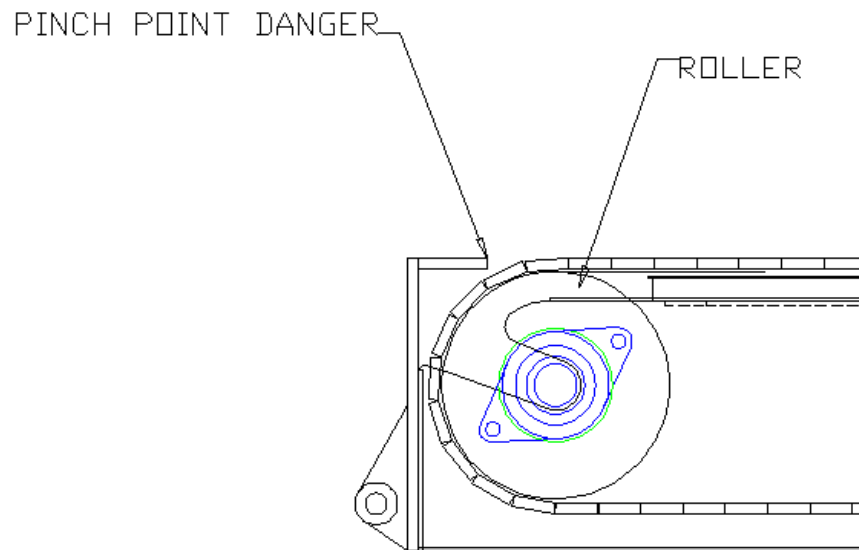


Figure 2 – Competitor's Skating Treadmill



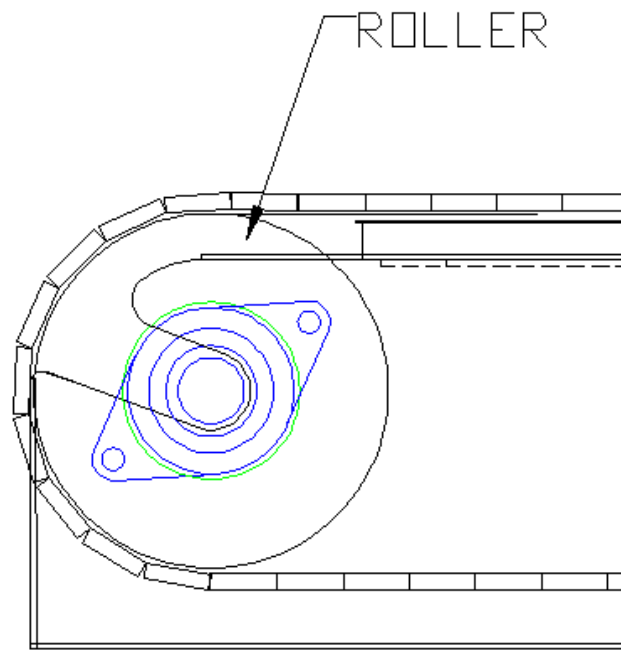


Figure 3 - StrideMill Skating Treadmill



StrideMill Skating Treadmill – NO PINCH POINT

AUTO BELT TRACKING

Tracking is defined as the procedure required to make the treadmill belt run "true" when empty and also when is being utilized. Tracking the belt is a process of adjusting idlers, pulleys, and loading conditions in a manner that will correct any tendencies of the belt to run other than true.

In order to completely minimize belt adjustment by customer, StrideMill has designed a simple auto belt tracking system.

Below (figure 4) is system incorporating a vulcanized V-Guide on bottom of the belt with V-Guide Pulley on the edge of the roller to Guide the belt.

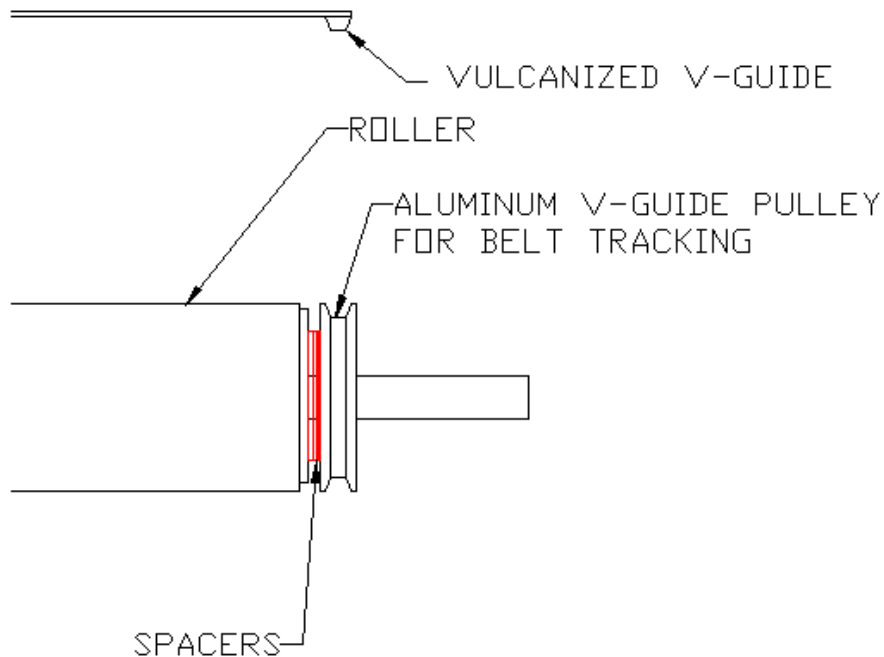


Figure 4

Once the Take-Up Bearing is adjusted and set (Figure 5), the belt is automatically tracked so there is minimal maintenance. Almost no maintenance is needed except for little lubrication.

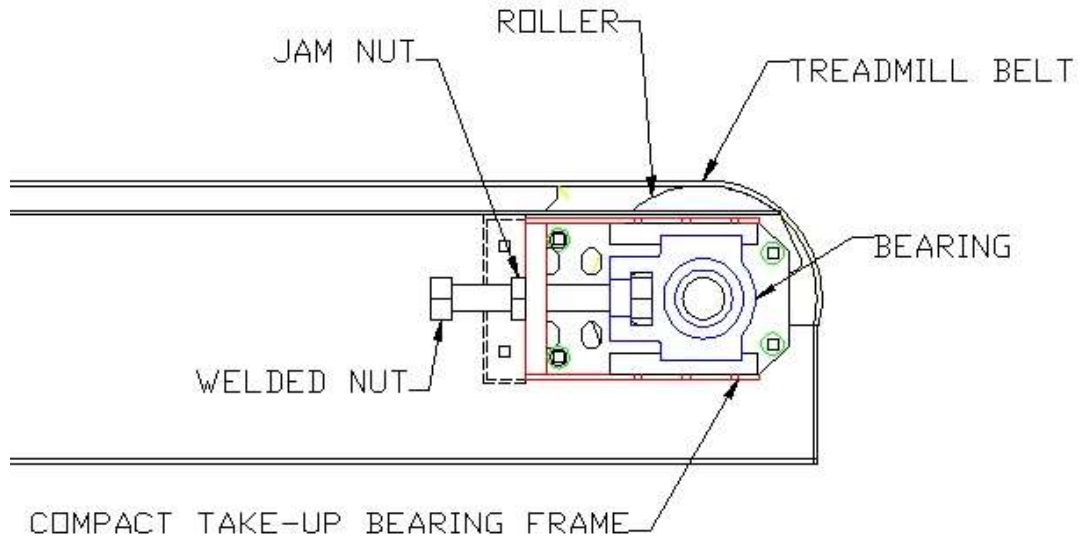
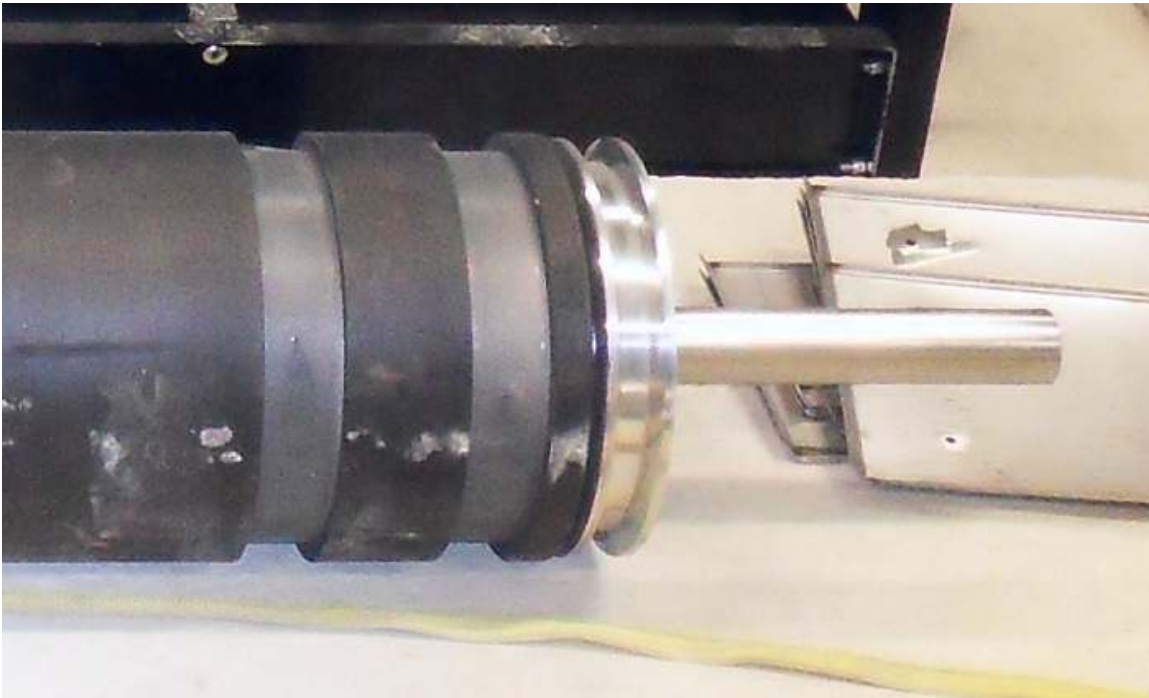


Figure 5



StrideMill Treadmill Roller with Aluminum V-Guide

If a Treadmill Roller does not have an Auto Belt Tracking, at some point the belt will run so far off that it will rub against Frame or mounting brackets, bolts, etc. This results in highly erratic performance and can be a real problem. Below is picture of a competitors' treadmill with no tracking system.



Competitor's treadmill shown with belt dust on frame.

STRIDEMILL ROLLERS

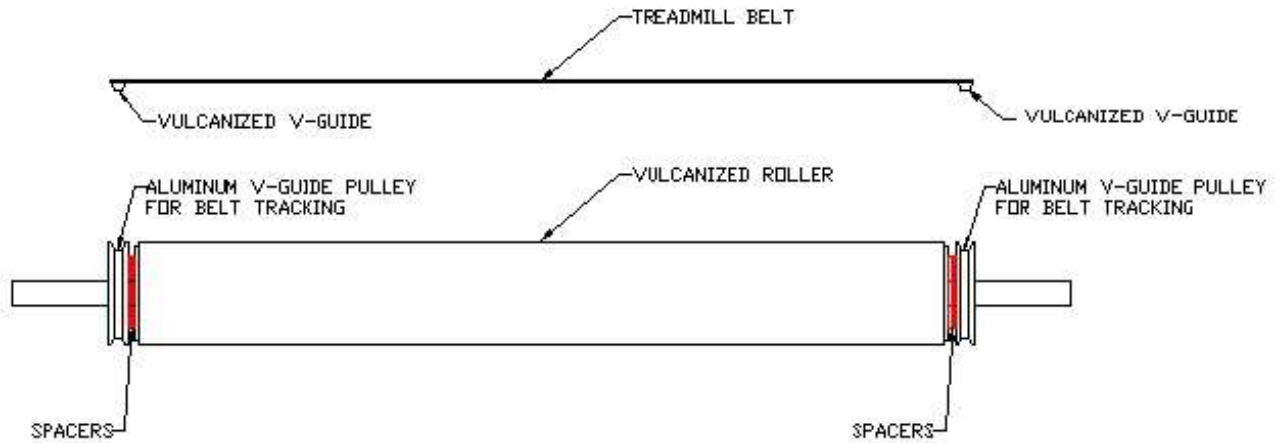
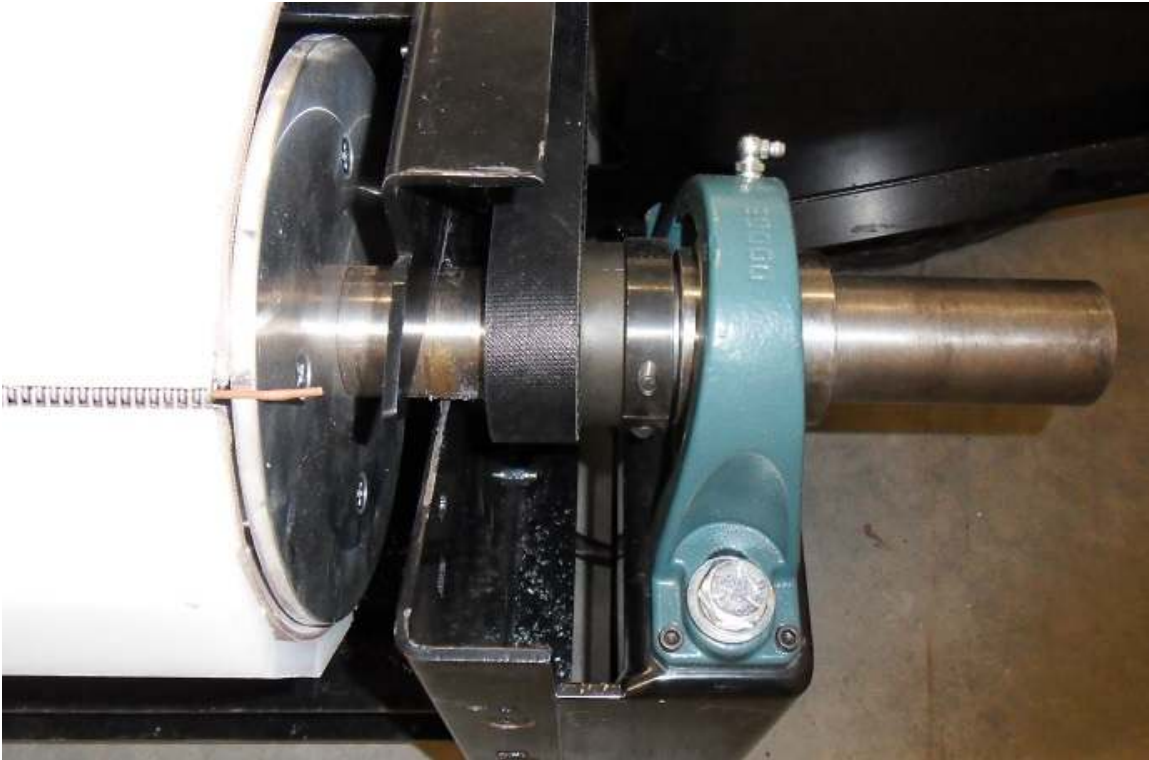


Figure 6 – StrideMill Roller Detail

Rollers are vulcanized and balanced. Vulcanized rollers are Quieter and have better traction than steel rollers with traction tapes. StrideMill Rollers are balanced. At high speed, the treadmill is more stable and has less vibration.

StrideMill Rollers are Adjustable. The roller width can be adjusted to fit the belt width. If the Belt manufacture makes slight different width, the spacers can be added or subtracted to accommodate the width of the belt.

Mechanical Spliced belt with lacing for easy Belt Replacement



Belt lacing shown.

It Only takes 1-2 hours to change the belt and reset the take-up bearing. It is very simple to replace, so the customer's technicians or a local mechanic can replace the belt. very easily.

Minimal tools are required to replace and reset the treadmill. Therefore minimizing the downtime.

STAINLESS STEEL DECKING

StrideMill Treadmills have 304 #2B Stainless Steel Decking.

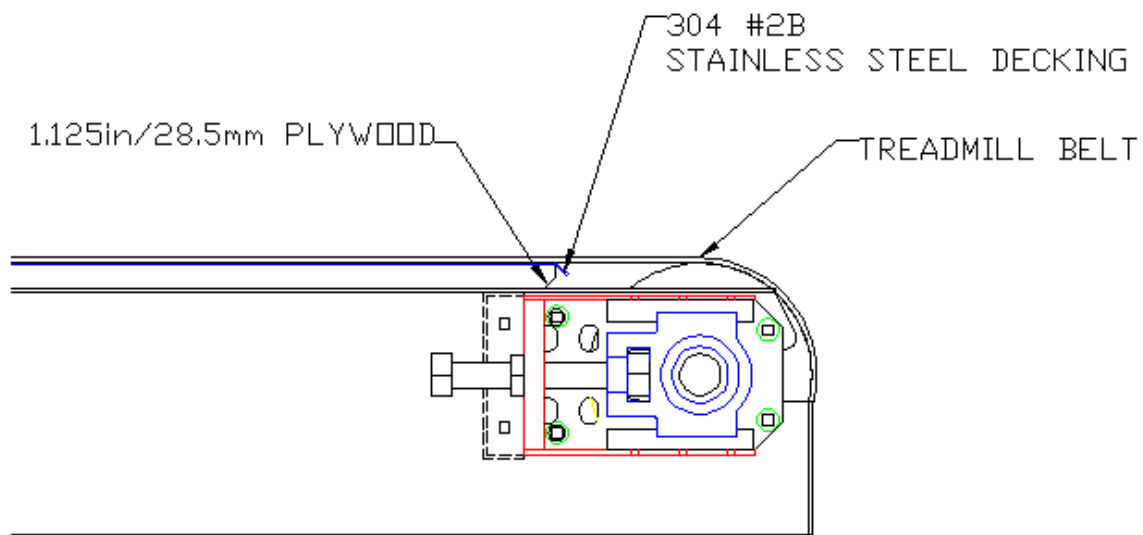


Figure 7

Stainless Steel Decking is durable and resistant to rust.

The additional layer of plywood acts as an impact isolation decking. Unlike other harder surfaces, plywood absorbs the vibration and noises and minimizes the impact to the user.

INSPECTION AND MAINTENANCE DOORS

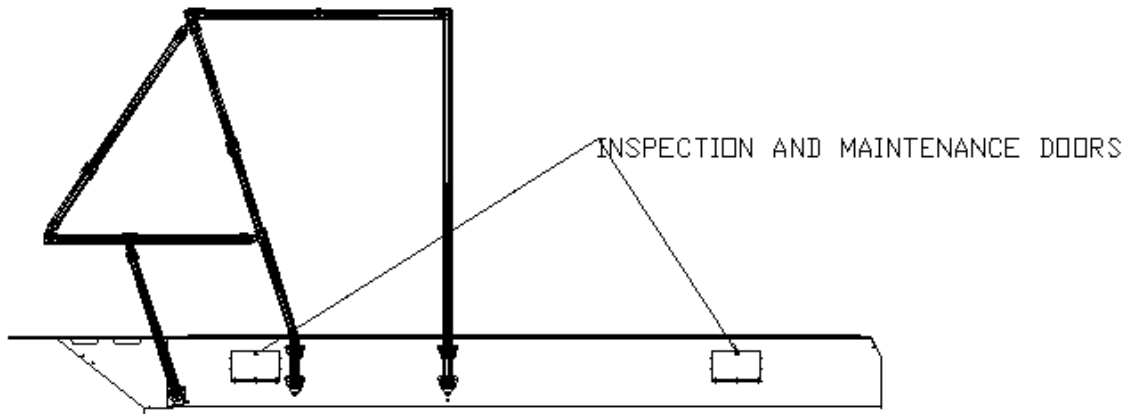


Figure 8

The doors allow routine inspection and maintenance without having to remove the external covers.

BUILT IN CASTERS

Built in Casters allow easy relocation and set up.

POWDERCOATED FRAME AND COVERS

Powder Coated Frame and Covers will make treadmill looking new for long time. It is more durable than the typical wet paint.

QUIETEST

It is quietest skating treadmill in the market, verified by decibel meter. Will provide decibel readings if requested.

CNC, CAD/CAM MANUFACTURING

StrideMill Treadmills incorporate CNC - computer numerical control, CAD - computer aided design, CAM – computer aided manufacturing. Therefore, the treadmill can be completely dis-assembled and re-assembled during installation and set-up.

Most competitors large treadmills are made with manually saw cut and welded frames. Therefore, it requires customer to cut out large opening to set up and install the treadmill in their facilities.

Since, StrideMill Treadmills have CNC, CAD/CAM components, upgrades are easy to implement. Fit and finish is far superior and quality control is better managed, requireing small entryways and easier material handling.

WHITE SYNTHETIC ICE - STANDARD

Slats made made of virgin UHMW plastic.

The slats are manufactured utilizing CNC, CAD/CAM fixtures. Results are uniformed, precise slats which lowers noise, foot chatter and increases belt life.

See below of comparison of StrideMill's and Competitor's belt.



StrideMill Belt



Competitor's Belt is Bumpy and misaligned

PUCK/STICK HANDLING PLATFORM

StrideMill has a Front Puck/Stick Handling platform as a standard on all of its Treadmills.

StrideMill's front puck handling and side shooting deck is integrated as a standard.



Integrated Puck/Stick Handling Platform and Side Shooting Deck

SIDE SHOOTING DECKS

StrideMill has 24 in (61 cm) wide left and right shooting deck with synthetic ice on most models.

Vertical Hand railings are removable on most StrideMill skating treadmills.

Therefore hockey players can shoot without worrying about the vertical railings.

Below is comparison of the StrideMill Treadmill to a Competitor's.



StrideMill Ice Skating Treadmill



Competitor's Skating Treadmill

SPARE PARTS

Many Spare Parts can be just plugged in or easily replaced. StrideMill Treadmills are installed all over the world. Since we cannot be there at a moments notice, we designed our treadmills with redundancy and by-pass systems to minimize down time for customer. 98% of the time, all issues were resolved via the internet or over the phone.

Only during early stages of our development in the late 1990's, did we have to go to a customer's site to solve a maintenance issue.

QUALITY ASSURANCE

(1) Inspection

Inspect the following items before shipment of the system.

- Operation inspection

(2) Acceptance

After installation and adjustment of the system at your facility, acceptance will be done according to our acceptance standards.

- Checking of specification
- Appearance inspection
- Operation inspection

(3) Warranty

Our ski/snowboard deck is warranted against defects in design, workmanship and materials for a period of one year from the date of installation. If warranty repairs are necessary, parts are provided without charge. Service labor will be furnished to correct complex and major repairs. For simple and minor repairs, parts will be supplied at no charge along with instructions to allow correction by customer personnel.

As with all machinery, certain items wear and require occasional replacement.

For skate/ski/snow board deck these parts are known as consumables.

- The customer is responsible for these parts.

If failure of a consumable was a direct result of a warranted defect in design, workmanship or materials, the damaged consumable will be replaced along with the warranted component at no charge.

- Contents of warranty

Trouble or defect will be repaired as soon as possible provided that periodical inspection and servicing have been done as described in the instruction manual and the machine has been properly used and that such trouble or defect is in our range of responsibilities.

- Exclusions

1. Trouble caused by negligence of instructions described in the instruction manual.
2. Trouble caused by unauthorized repair, modification, etc.
3. Damage or trouble caused by earthquakes, fires, floods and other acts of God.
4. Trouble caused by relocation or improper storage after commissioning.
5. Secondary compensation in case of operation stop caused by trouble.
6. Any accident that happens within the Customer's scope of work shall be indemnified from and against the Product Liability Law.

In the event that the Product or any parts of Product are found not to meet the specifications at the time of testing and commissioning of the product and if such failure to meet the specifications is of such nature as would not be discoverable upon reasonable inspection, Customer may submit claims for such Product or parts of Product to us. Such claims shall be dispatched in writing by Customer to us with full particulars within one (1) month after installation.

In case any of those claims is found justifiable due to faulty materials or workmanship, we shall replace the defective parts with other parts meeting with the specifications.

Our liability, if any, with respect to any Product sold by us to Customer for any reason whatsoever shall be limited to replacing the defective parts of Product and delivering the replacement parts of Product to Customer free of charge. The warranty of furnishing the free replacement as herein set forth shall be the only warranty, either express, implied or statutory, upon which Product are sold, all other warranties for merchantability and fitness for purposes being expressly disclaimed.

We shall not be liable for consequential or indirect damages under any circumstances.

We do not in any way warrant the fitness of Product sold by us pursuant to this proposal or any sales contract for any purpose other than the ordinary purpose for which such Product is to be used.

We shall not be liable for any defects of Product or any part thereof caused by any failure of Customer, or purchaser to follow normal handling procedures specified in the specifications.

Customer shall not revise, modify or alter the specifications of Product or the purpose for which Product is used, without our prior approval.

EXCLUSIONS

The customer is responsible for following:

All local taxes

Foundation if required

Power supply (primary wiring)

Excludes rough and finish carpentry

CE certification however we use all CE or UL or both certified components.

Additional cost, if there are local code requirements.

Permitting cost is not included if required

Prevailing wage difference if local union is involved in installation.

Business license if required for installation. This is based on that we can do the installation.

Shipping and Insurance will be billed at cost plus 10%.